

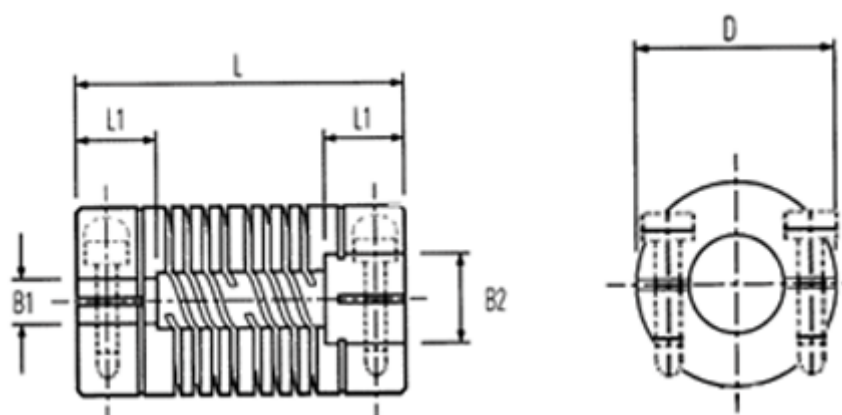
Data Sheet



Article number: 339707640000

Description: Multibeam 6 Coupling 707.64.0000
Aluminium relieved & clamp hubs

Measures



B2: Pre-drilled	= 12.0
B2: Pre-drilled	= 25.00
Cap screw	= M8
D	= 63.5
L	= 150.0
L1	= 38.0
Max angular displacement	= 1.00
Max B1 & B2	= 36.00

Max parallel displacement	= 7
Peak Torque NM	= 75.00